



Technical data and specifications

| Operating capacity | | |
|--------------------------|----|------|
| Operating weight (CECE) | kg | 9910 |
| Compacting width maximum | mm | 1993 |

| Weights | | |
|--------------------------|----|-------|
| Ballast | kg | 14090 |
| Operating weight maximum | kg | 24000 |
| One wheel load minimum | kg | 1239 |
| One wheel load maximum | kg | 3000 |

| Steering | | |
|----------------------------------|----|------|
| Steering angle (±) | ° | 32 |
| Oscillation angle (±) | ° | 5 |
| Turning radius inner (edge) | mm | 5400 |
| Turning radius outer (contour) | mm | 8600 |
| Transversal stability - straight | ° | 36 |

| Travel characteristic | | |
|-----------------------|------|----|
| No. of travel speeds | | 3 |
| Max. speed | km/h | 19 |
| Gradeability | % | 25 |

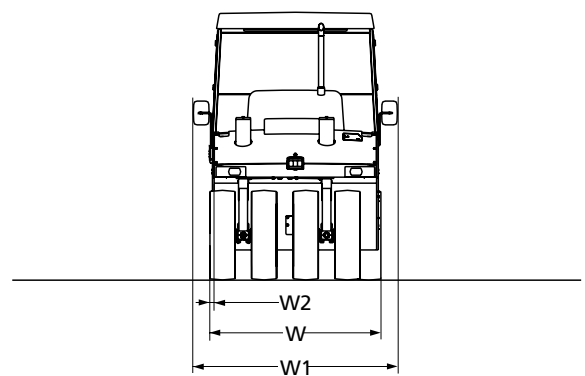
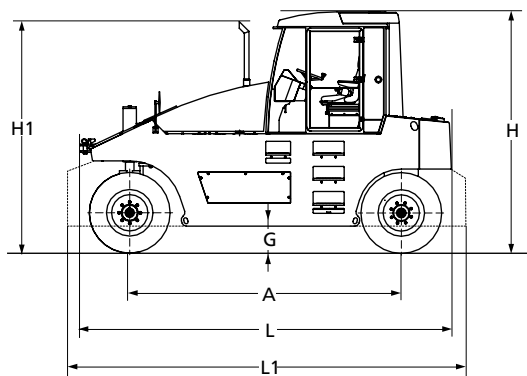
| Brakes | |
|-----------|------------|
| Operation | Hydro-pneu |
| Parking | Disc |
| Emergency | Disc |

| Watering | |
|-------------------------|----------|
| Watering | Pressure |
| No. of pumps | 1 |
| Water filtration stages | 1 |

| Tanks | | |
|-------|----|--------------------|
| Fuel | lt | 250 |
| Water | lt | 285 + 125 (option) |

| Electroinstallation | | |
|-----------------------|----|-----|
| Voltage | V | 12 |
| Capacity of batteries | Ah | 135 |

| Engine | | |
|-------------|------------|------------|
| Make | | Cummins |
| Type | | 4B4.5-C99 |
| Rated power | kW | 74 |
| Standard | (DIN 6271) | ISO 3046/1 |



| Dimensions (mm) | A | G | H | H1 | L | L1 | W | W1 | W2 |
|-----------------|------|-----|------|------|------|------|------|------|----|
| AP 240 | 3500 | 300 | 3040 | 3010 | 4775 | 5440 | 1986 | 2265 | 33 |

Technical data subject to changes. Machines may be shown with options.

Ammann distribution
companies:

Switzerland:
Ammann Schweiz AG
CH-4901 Langenthal
Tel +41 62 916 61 61
Fax +41 62 916 65 40

Germany:
Ammann Verdichtung GmbH
D-53773 Hennef
Tel +49 22 42 880 20
Fax +49 22 42 880 259

Rammax Maschinenbau GmbH
D-72555 Metzingen
Tel +49 71 23 922 30
Fax +49 71 23 922 350

Czech Republic:
Ammann Czech Republic a.s.
CZ-54901 Nové Město nad Metují
Tel. +420 491 476 111
Fax +420 491 470 215

France:
Ammann France SA
F-94046 Créteil/Cedex
Tel +33 1 45 17 08 88
Fax +33 1 45 17 08 90

United Kingdom:
Ammann Equipment Ltd.
GB-Warwickshire, CV37 OTY
Tel +44 1789 414 525
Fax +44 1789 414 495

USA:
Ammann America Inc.
US-Ponte Vedra, Florida 32082
Tel +1 904 543 1691
Fax +1 904 543 1781

Ammann manufacturing
companies:

Switzerland:
Ammann Schweiz AG
CH-4901 Langenthal
Tel +41 62 916 61 61
Fax +41 62 916 64 03

Germany:
Ammann Verdichtung GmbH
D-53773 Hennef
Tel +49 22 42 880 20
Fax +49 22 42 880 259

Rammax Maschinenbau GmbH
D-72555 Metzingen
Tel +49 71 23 922 30
Fax +49 71 23 922 350

Czech Republic:
Ammann Czech Republic a.s.
CZ-54901 Nové Město nad Metují
Tel. +420 491 476 111
Fax +420 491 470 215





Machines

AP 240 Pneu Tyred Roller

www.ammann-group.com



High performance and compaction output, together with reliability and long lifetime, ensures the best compressing results of AP 240. Enjoy the worlds most popular PTR.

Versatility of usage due to kneading effect

The kneading effect is a unique ability of PTR's. Constant static action of dead weight and elasticity of rubber tires result in a permanent tamping and sealing effect of the machine. This effect enables the usage of AP 240 for a wide range of compaction applications, from compaction asphalt mixtures to compaction operations on soils. The ballasting ability and central influence system allow the parameters to be set exactly, to allow the best compressing system results.

High reliability and performance

The proven hydrodynamic propulsion system ensures good driving ability, outstanding gradeability and maximum effective operation of the machine. The powerful Cummins engine, together with Spice-Clark gearbox, provides 3 machine speeds in both directions. Isostatic suspension of the front axle, for all-time contact with the compacting material. The up-to-date design and well glazed cab provide a perfect view into the working field; 1x1 visibility ensured.

Output and efficiency

- A large ballasting range – from 9950 to 24000 kg (max. loading per wheel 3 tons)
- Possibility of water ballast – option
- Thermal aprons to keep a constant temperature of the tires – option
- Sprinkling system and scrapers as standard items
- Radial type of tires for asphalt compression - option
- The efficient engine and huge fuel tank allow a more than 30-hour continuous operation.

Reliable operation

- Reliable drive system via hydrodynamic propulsion and 3-shaft gearbox Clark
- Isostatic front axle with hydrostatic elevation and +/-100 cm, and oscillation 5 degree

Endurance and lifetime

- Rigid frame construction
- Long service terms
- Easy access to engine housing
- All service and maintenance points are easily accessible

Operator's comfort and safety

- Roomy, two-workstation cab
- Excellent visibility into the working field of the machine
- Cab heating and ventilation
- Clear, displaying dashboard
- Extremely low noise level
- Easy speed and travel direction controlling, due to regulation

Compaction abilities

Central tire inflation system to set optimal pressure in tires
Radial tires for better asphalt compacting results (option)
Sprinkling system
Wide range temperature working ability

Engine

Powerful Cummins diesel engine
Low noise level
Low fuel consumption
Wide temperature working range
-15° – +45°C



Front axle

Isostatic front axle with two steering pivots
Hydrostatic high sensitive suspension of front axle
Small turning radius thanks to the compactness of the machine
Hydrostatic steering

Ballasting space

Ballasting range from 9500 to 24000 kg
Large ballasting compartment (1,8m³)
Variety of ballast possibilities
Possibility of water ballasting (option)

AP 240

Pneu Tyred Roller



Cab

Comfortable panorama cab
Perfect visibility into working area
Ergonomic operation thanks to two-operator stations
Cab ventilated and heated
Platform version available
Simply arranged dashboard and operating panels

Drive

Powershift – hydrodynamic, reversible drive with a 3-shaft gearbox
Gear transmission to rear axle – no chain drive
Good access to all service and maintenance points

Standard items

- Cab ventilated and heated
- Two operator workplaces
- 4+4 compacting pneu tyred compactor 18 PR Smooth
- Tyre inflation system (Air-by-Run system)
- Fully isostatic front axle
- Hydrodynamic propulsion of the rear axle
- Differential lock between 2 pairs of rear wheels
- Modulated power shift gearbox
- Working halogen headlights
- Turn indicators
- Painting Ammann, yellow-green

Optional items

- Operator platform with rails
- Lockable vandal guard (platform version)
- Tropical cooling fan
- Waterproof frame
- Thermal aprons
- ROPS protection (obligatory for CE)
- FOPS II protection (mounted onto ROPS)
- ROPS canopy
- Selfstanding canopy
- Air conditioning
- Edge cutter
- Radial tyres Dunlop
- Coco scrapers
- Ballasting set 2400 kg or 6000 kg
- CE Noice reduction kit (obligatory for CE)
- Fan safety screen
- Warning beacon
- Back-up alarm
- Additional water tank 125 lt
- Front wheel mirror
- Chock blocks
- Special painting
- Fire extinguisher
- Toolkit