



Machines

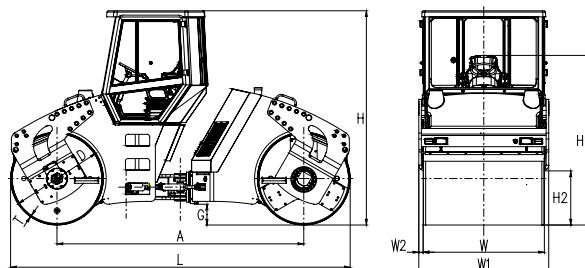
## Articulated Tandem Rollers AV 70 X / 110 X / 130 X

[www.ammann-group.com](http://www.ammann-group.com)



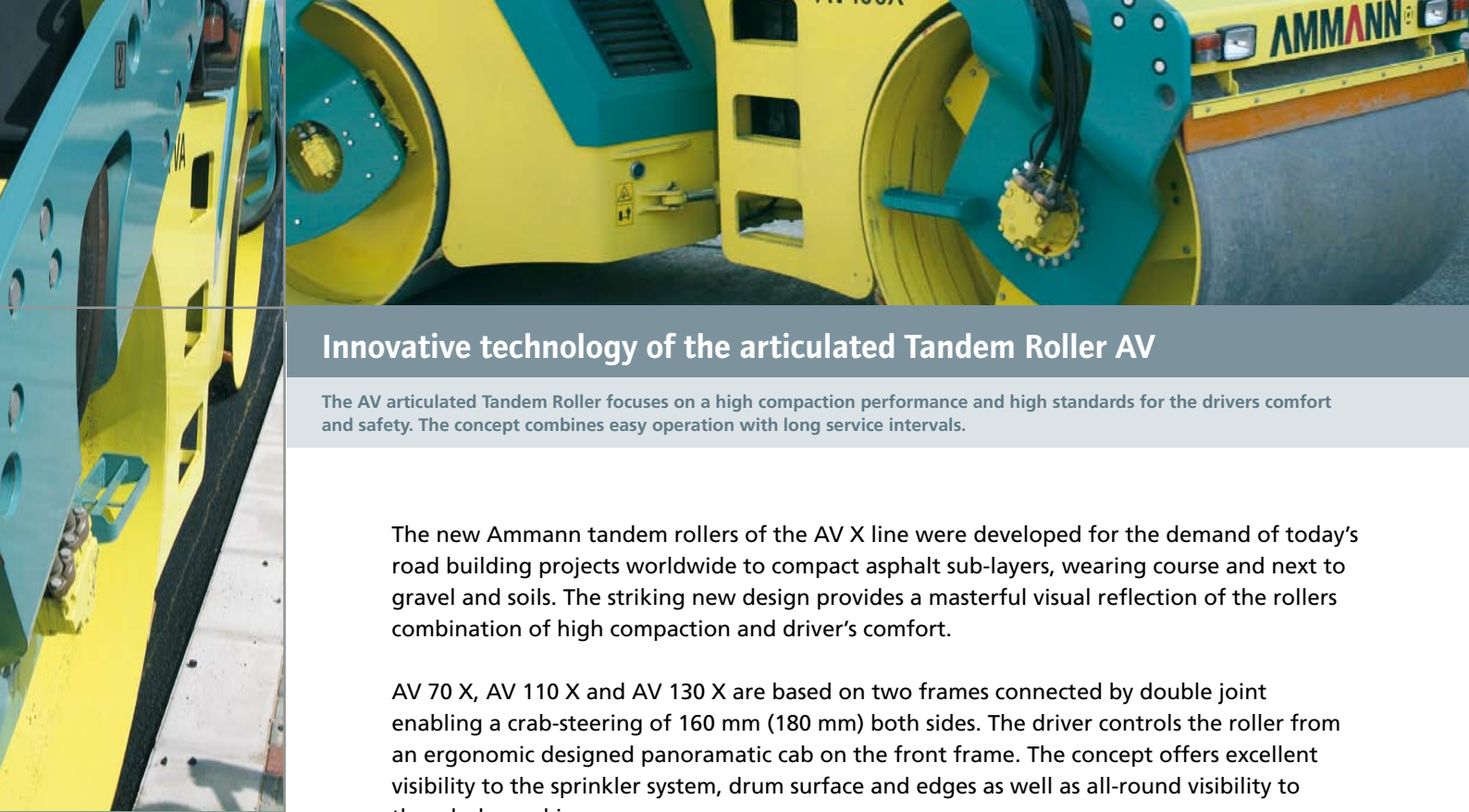
## Technical data and specifications

		AV 70 X	AV 110 X	AV 130 X
<b>Capacity</b>				
Operating weight (CECE)	kg	7100	10400	13030
Compacting width	mm	1450	1700	2100
Drum offset	mm	180	160	160
<b>Weights</b>				
Operating weight maximum	kg	7500	11000	13620
Front drum load (CECE)	kg	3550	5250	6250
Rear drum load (CECE)	kg	3550	5150	6250
Front drum linear load	kg/cm	25.9	30.9	29.8
Rear drum linear load	kg/cm	25.9	30.3	29.8
<b>Steering</b>				
Steering angle (+ -)	°	36	35	36
Oscillation angle (+ -)	°	6	6	6
Turning radius inner (edge)	mm	5325	4650	3730
Transversal stability - straight	°	26	30	30
<b>Riding characteristic</b>				
Maximal speed	km/h	11.6	12	11.4
Gradeability without vibration	%	42	40	40
Gradeability with vibration	%	37	35	35
<b>Brakes</b>				
Operation		Hydrostatic	Hydrostatic	Hydrostatic
Parking		Multi disc	Multi disc	Multi disc
Emergency		Multi disc	Multi disc	Multi disc
<b>Vibration</b>				
Amplitudes	mm	0.62 / 0.3	0.7 / 0.35	0.8 / 0.4
Frequencies	Hz	48 / 63	45 / 55 (53-CE)	42 / 55 (50-CE)
Centrifugal forces	kN	85 / 78	110 / 83 (77-CE)	130 / 100 (96.5-CE)
<b>Watering</b>				
Watering		Pressure	Pressure	Pressure
No. of pumps		1	2	2
Water filtration stages		3	3	3
<b>Capacities</b>				
Fuel	lt	110	200	200
Water	lt	650	1000	1000
<b>Electrical Installation</b>				
Voltage	V	12	12	12
Capacity of batteries	Ah	100	100	100
<b>Engine</b>				
Make		Cummins	Cummins	Cummins
Type		BTAA3.3-C80	4BT4.5-C99	QSB4.5-C130
Rated power	kW	60	74	97
Standard		ISO 3046/1 (DIN6271)	ISO 3046/1 (DIN6271)	ISO 3046/1 (DIN6271)



Dimensions (mm)	A	D	G	H	H1	H2	L	T	W	W1	W2
AV 70 X	3260	1150	306	2950	2330	710	4410	15	1450	1540	45
AV 110 X	3460	1300	290	3000	2380	760	4760	22	1700	1822	61
AV 130 X	3540	1350	340	3050	2430	785	4890	20	2100	2220	60

Technical data subject to change without notice. Illustrations may show optional equipment.



## Innovative technology of the articulated Tandem Roller AV

The AV articulated Tandem Roller focuses on a high compaction performance and high standards for the drivers comfort and safety. The concept combines easy operation with long service intervals.

The new Ammann tandem rollers of the AV X line were developed for the demand of today's road building projects worldwide to compact asphalt sub-layers, wearing course and next to gravel and soils. The striking new design provides a masterful visual reflection of the rollers combination of high compaction and driver's comfort.

AV 70 X, AV 110 X and AV 130 X are based on two frames connected by double joint enabling a crab-steering of 160 mm (180 mm) both sides. The driver controls the roller from an ergonomic designed panoramatic cab on the front frame. The concept offers excellent visibility to the sprinkler system, drum surface and edges as well as all-round visibility to the whole working area.

The operator's working place is isolated against vibration and engine heating. The power train is situated in the rear frame. Independent pumps for drive and vibration secure an optimal traction and compaction force of the roller. Excellent compaction results are achieved by optimal combination of drum dimensions, frequencies and amplitudes.

### Cab

- Integrated ROPS/FOPS
- Ventilation and heating
- Excellent view to the drum surface, edges and sprinkling system
- One-seat working place: swivelling and sliding within the entire width of the cab
- Adjustable steering wheel for ultimate driver's comfort
- Two drive levers for easy hands operation at both side of cab and adjustable seat

### Service and Maintenance

- Excellent access to the engine service points by wide hoods
- All control and lubrication ports reachable from the ground
- Cabine isolated against heat and vibration
- Best access to the sprinkling nozzles

### Drums

- Two amplitudes and two frequencies for optimal compaction of the different job sites applications
- Balanced Drums dimensions minimize the risk of asphalt waves
- Reliable long-life vibration system
- Back-up sprinkling system by use of two water pumps
- Large water tanks for long filling intervals

### Drive and control

- Double pump system drives both drums independently
- Excellent traction even in difficult terrains
- Double joint enabling crab-steering of 160 mm both sides
- Unique manoeuvrability achieved by a large steering angle and general machine compactness

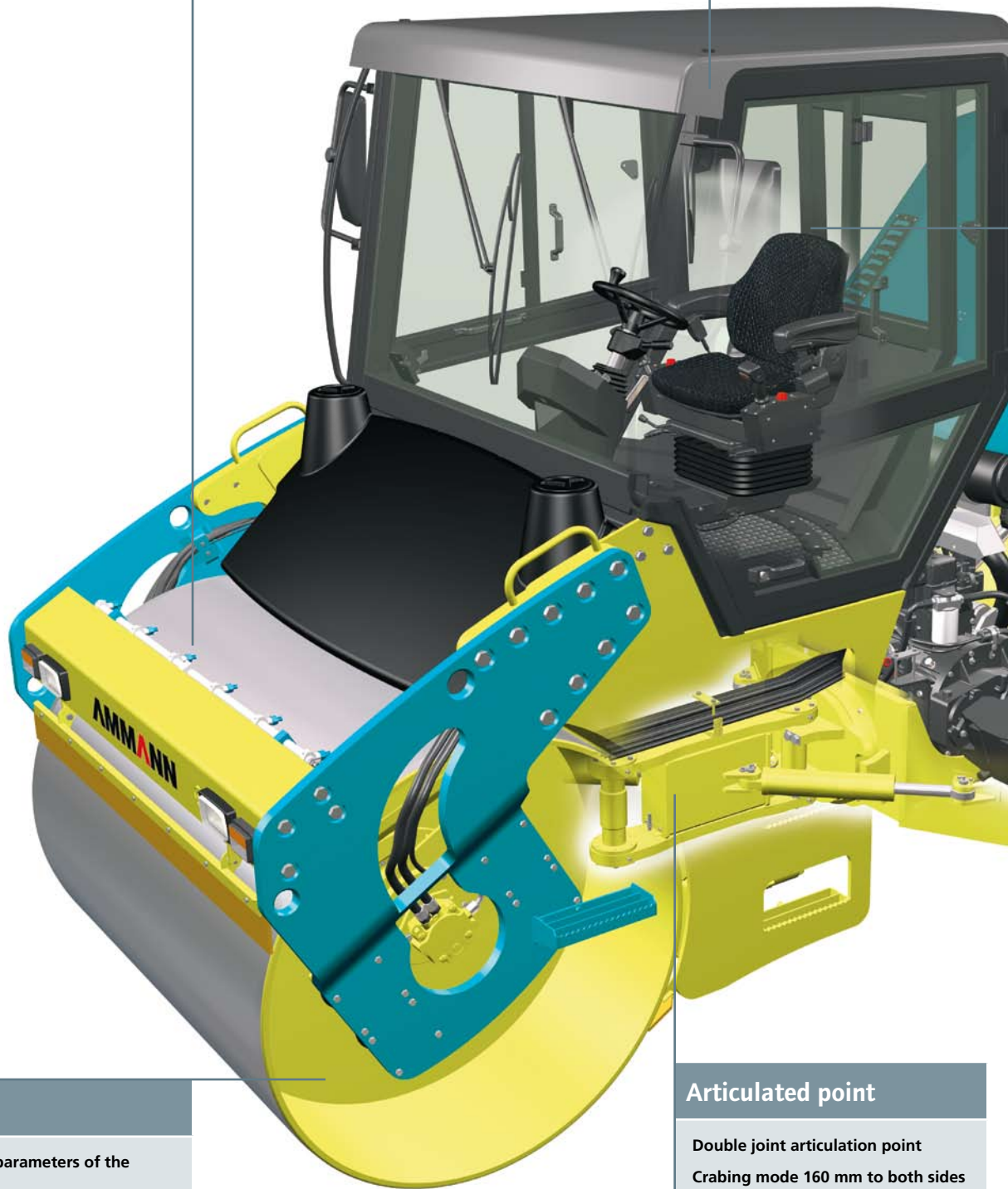


## Visibility

Excellent visibility to surface and edges of both drums  
Good access of sprinkling system  
Best all-around view 1m x 1m

## Cab

Roomy well glassed cab  
Maximal operator's comfort  
Optimal layout of all controllers  
Well-arranged dashboard



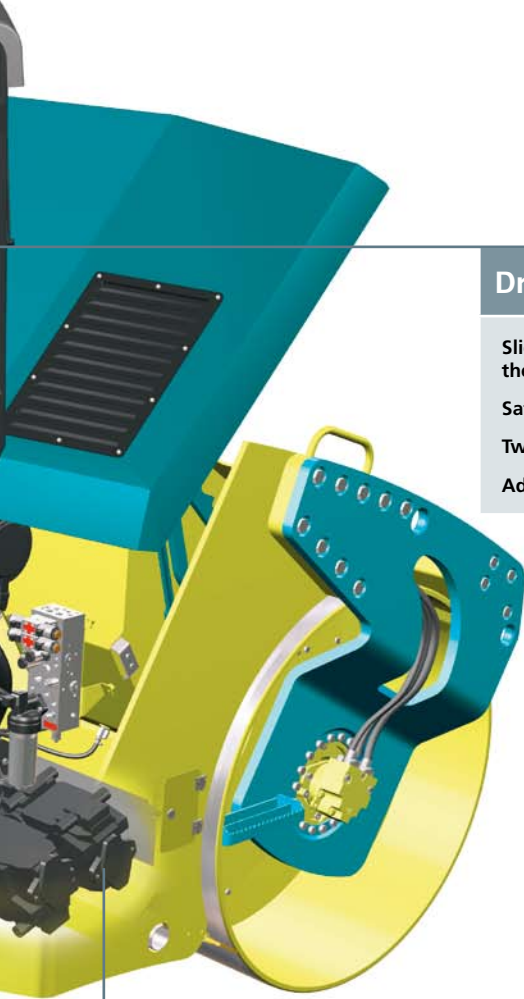
## Drum

Optimized parameters of the vibration  
Drum size prevent undulation of compacting material  
Reliable construction arrangement of exciter mechanism

## Articulated point

Double joint articulation point  
Crabbing mode 160 mm to both sides  
Perfect manoeuvrability

**AV 70 X / 110 X / 130 X**  
**Articulated Tandem Rollers**



### Driver's working place

Sliding and swivelling seat within the comfort cabin

Safe ROPS/FOPS – protection

Two drive levers

Adjustable steering wheel and seat

### Propulsion

Powerful reliable engine

Pair of independent pumps for motion and vibration

Low fuel consumption

Long maintenance and service intervals

## Standard items

- CE conformity – ROPS, TIER II, seat switch
- ROPS/FOPS cab with sliding and rotating driver seat
- Ventilated+heated
- Adjustable steering wheel
- Speed pre-selector
- 2 mode vibratory system
- Hydrostatic propulsion, front+rear
- Working lights + turning indicators and back up lights
- Sprinkling system
- Back-up alarm
- Vulkolan scrapers
- Inter axle dif. lock

## Optional items

- Open platform with rails + vandal cover
- ROPS frame onto platform
- Canvas canopy (black, yellow), mounted on ROPS frame
- Canvas canopy (black, yellow)
- Air conditioning
- Radio with antenna
- Edge cutter + press wheel
- Thermometer
- Additional working lights on cab 2+2
- Tilttable scrapers
- Warning beacon
- Back-up alarm
- Tools kit
- First service kit
- Fire extinguisher
- Add. documentation set
- Special painting

Ammann distribution  
companies:

Switzerland:  
Ammann Schweiz AG  
CH-4901 Langenthal  
Tel +41 62 916 61 61  
Fax +41 62 916 65 40

Germany:  
Ammann Verdichtung GmbH  
D-53773 Hennef  
Tel +49 22 42 880 20  
Fax +49 22 42 880 259

Rammax Maschinenbau GmbH  
D-72555 Metzingen  
Tel +49 71 23 922 30  
Fax +49 71 23 922 350

Czech Republic:  
Ammann Czech Republic a.s.  
CZ-54901 Nové Město nad Metují  
Tel. +420 491 476 111  
Fax +420 491 470 215

France:  
Ammann France SA  
F-94046 Créteil/Cedex  
Tel +33 1 45 17 08 88  
Fax +33 1 45 17 08 90

United Kingdom:  
Ammann Equipment Ltd.  
GB-Warwickshire, CV37 0TY  
Tel +44 1789 414 525  
Fax +44 1789 414 495

USA:  
Ammann America Inc.  
US-Ponte Vedra, Florida 32082  
Tel +1 904 543 1691  
Fax +1 904 543 1781

Ammann manufacturing  
companies:

Switzerland:  
Ammann Schweiz AG  
CH-4901 Langenthal  
Tel +41 62 916 61 61  
Fax +41 62 916 64 03

Germany:  
Ammann Verdichtung GmbH  
D-53773 Hennef  
Tel +49 22 42 880 20  
Fax +49 22 42 880 259

Rammax Maschinenbau GmbH  
D-72555 Metzingen  
Tel +49 71 23 922 30  
Fax +49 71 23 922 350

Czech Republic:  
Ammann Czech Republic a.s.  
CZ-54901 Nové Město nad Metují  
Tel. +420 491 476 111  
Fax +420 491 470 215

